



US00D776665S

(12) **United States Design Patent** (10) **Patent No.:** **US D776,665 S**
Karlsson et al. (45) **Date of Patent:** **** Jan. 17, 2017**

(54) **LIGHT GUIDE FRAME**
(71) Applicant: **Neonode Inc.**, Santa Clara, CA (US)
(72) Inventors: **John Karlsson**, Märsta (SE); **Lars Sparf**, Vällingby (SE); **Alexander Jubner**, Stockholm (SE); **Thomas Eriksson**, Stockholm (SE)
(73) Assignee: **Neonode Inc.**, San Jose, CA (US)
(**) Term: **14 Years**
(21) Appl. No.: **29/516,686**

D582,917 S * 12/2008 Wada D14/371
D645,429 S * 9/2011 Wong D14/126
D645,431 S * 9/2011 Boo D14/126
D662,932 S * 7/2012 Park D14/341
D668,250 S * 10/2012 Flagiello D14/341
D677,664 S * 3/2013 Akana D14/439
D678,288 S * 3/2013 Feldstein D14/439
D709,468 S * 7/2014 Seo D14/126
D712,401 S * 9/2014 Lee D14/341
D718,308 S * 11/2014 Nishizawa D14/389
D726,136 S * 4/2015 Cho D14/126
D727,863 S * 4/2015 Sung D14/126
D728,543 S * 5/2015 Chung D14/248
D730,896 S * 6/2015 Hwangbo D14/374
D730,897 S * 6/2015 Hwangbo D14/374
D734,759 S * 7/2015 Myung D14/439
9,081,540 B1 * 7/2015 Cho G06F 1/1601
D735,922 S * 8/2015 Yamauchi D16/239

(Continued)

(22) Filed: **Feb. 5, 2015**
(51) **LOC (10) Cl.** **14-02**
(52) **U.S. Cl.**
USPC **D14/439**; D14/450; D14/432; D26/141
(58) **Field of Classification Search**
USPC D14/388, 389, 390, 399, 338, 341, 346,
D14/356, 371, 374, 432, 439, 440, 443,
D14/448, 450, 454, 126, 217, 218, 239,
D14/248, 255, 299; D13/162, 184, 123;
D26/51, 56, 113, 118, 138, 139, 141, 152
CPC G06F 3/041; G06F 3/0416; G06F 3/0412;
G06F 3/042; G06F 3/0421; G06F 3/0488;
G02B 6/0025; G02B 6/0031; G02B
6/0086; G02B 6/0088; G02F 1/133308;
G02F 1/133615
See application file for complete search history.

Primary Examiner — Susan Bennett Hattan
Assistant Examiner — Marie Fast Horse
(74) *Attorney, Agent, or Firm* — Soquel Group LLC

(57) **CLAIM**

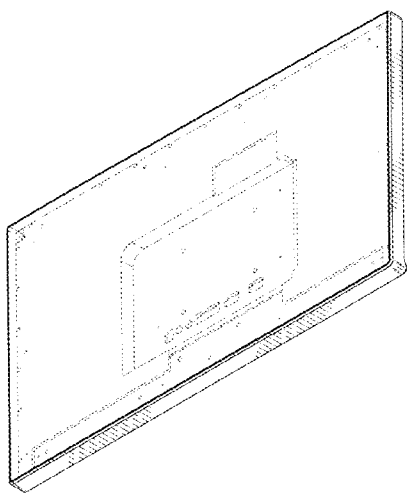
The ornamental design for a light guide frame, substantially as shown and described.

DESCRIPTION

FIG. 1 is a perspective view from the front of a light guide frame, showing our new design;
FIG. 2 is a perspective view from the back thereof;
FIG. 3 is a top view thereof;
FIG. 4 is a bottom view thereof;
FIG. 5 is a left side view thereof, the mirror image of which is a right side view thereof;
FIG. 6 is a front view thereof; and,
FIG. 7 is a back view thereof.
The broken line showings of the remainder of light guide frame are for illustrative purposes only; the broken lines form no part of the claimed design.

1 Claim, 7 Drawing Sheets

(56) **References Cited**
U.S. PATENT DOCUMENTS
6,046,785 A * 4/2000 Won G02F 1/133615
349/58
6,685,328 B1 * 2/2004 Hanson G02B 6/0028
349/58
D487,433 S * 3/2004 Kanatani D14/126
7,116,385 B2 * 10/2006 Yeom G02F 1/133615
349/58
D569,864 S * 5/2008 Chen D14/337



(56)

References Cited

U.S. PATENT DOCUMENTS

D737,277 S * 8/2015 Song D14/450
D743,362 S * 11/2015 Kim D14/126
D744,484 S * 12/2015 Huebner D14/389
D745,001 S * 12/2015 Cho D14/341
9,207,800 B1 * 12/2015 Eriksson G06F 3/041
D747,541 S * 1/2016 Dietel D26/141
D749,564 S * 2/2016 Cho D14/341
D749,567 S * 2/2016 Lee D14/203.4
D749,590 S * 2/2016 Dinh D14/439
D750,063 S * 2/2016 Chung D14/341
D757,671 S * 5/2016 Bouroullec D14/126
2008/0106669 A1 * 5/2008 Tsai G02F 1/133308
349/58
2012/0188205 A1 * 7/2012 Jansson G06F 3/042
345/175
2013/0093959 A1 * 4/2013 Yokawa G02F 1/133615
348/725
2013/0241886 A1 * 9/2013 Eriksson G02B 6/0091
345/175
2014/0307469 A9 * 10/2014 Ozawa G02B 6/0031
362/609
2015/0168626 A1 * 6/2015 Schinagl G02B 6/0006
362/555
2015/0260900 A1 * 9/2015 Nakao G02B 6/0068
362/609
2015/0323727 A1 * 11/2015 Li G02B 6/0008
362/610
2015/0346541 A1 * 12/2015 Ando G02F 1/133308
362/606
2016/0004005 A1 * 1/2016 Namekata G02B 6/0068
349/65

* cited by examiner

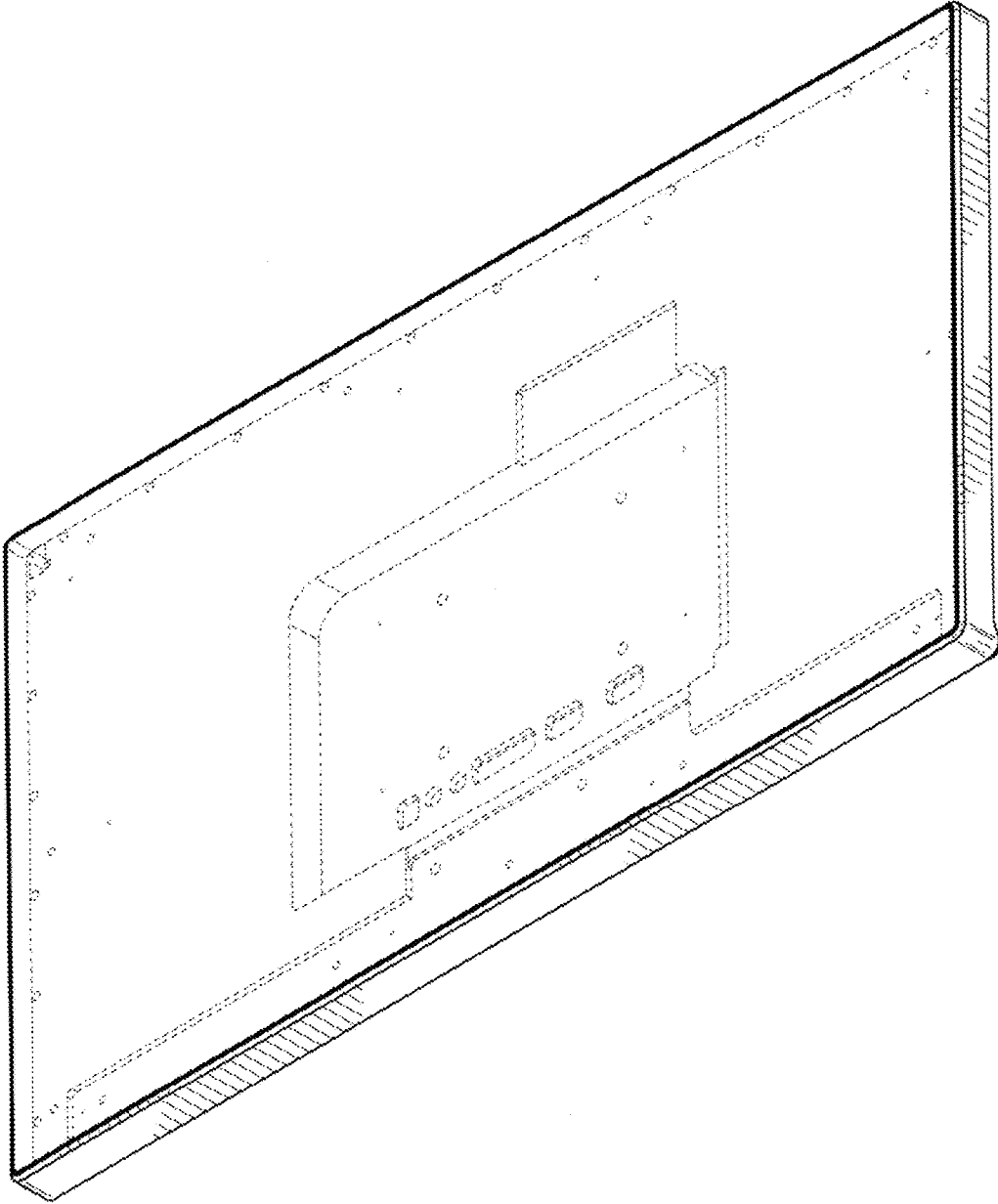


FIG. 1

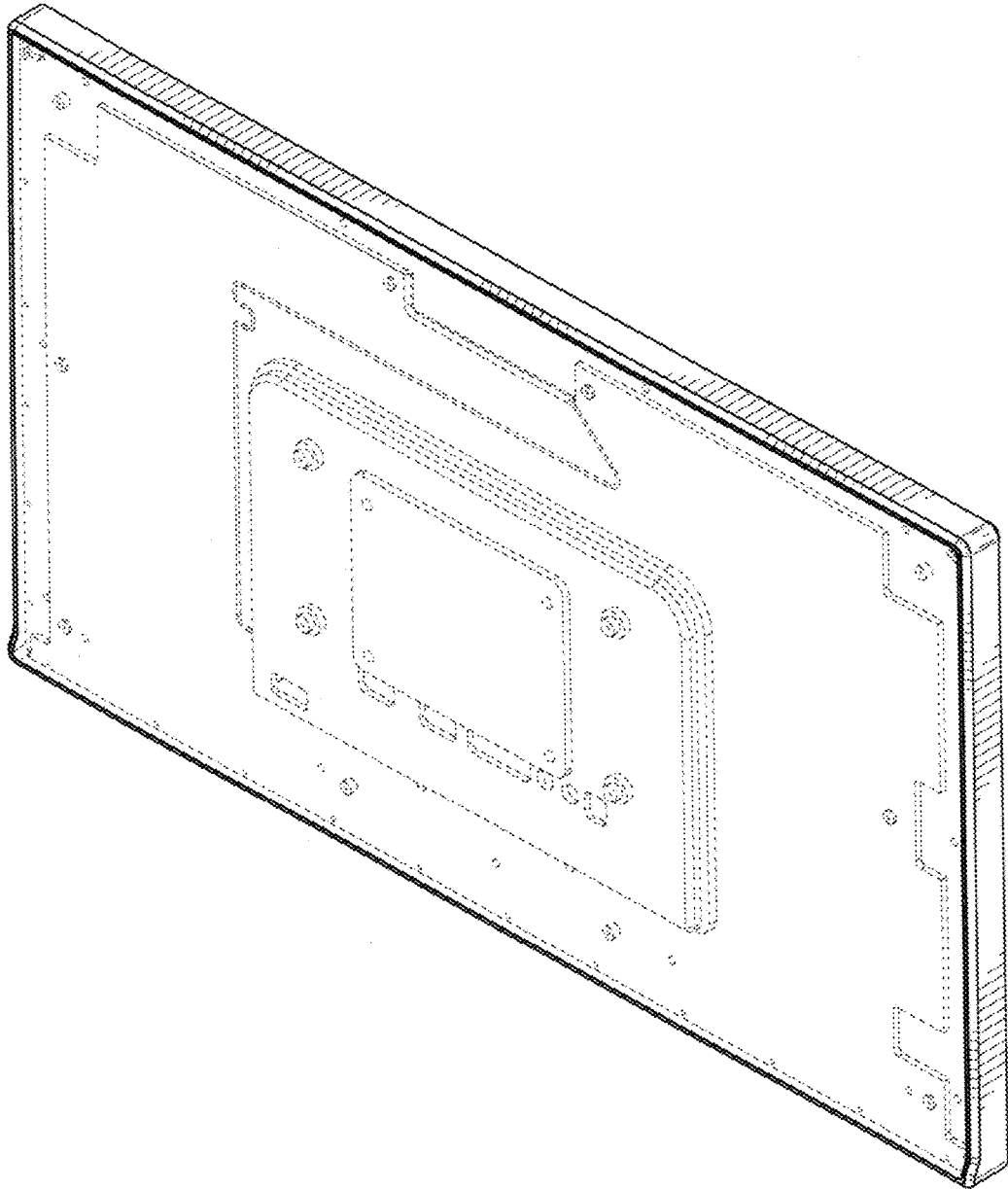


FIG. 2

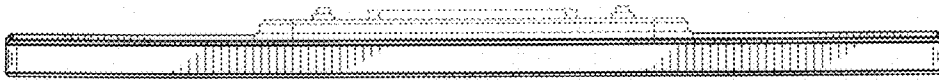


FIG. 3

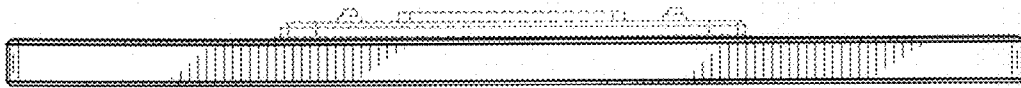


FIG. 4

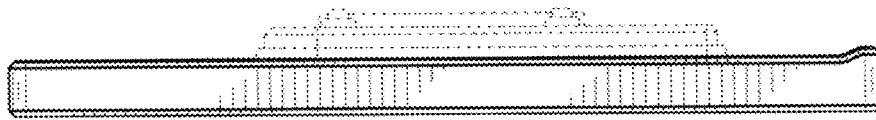


FIG. 5

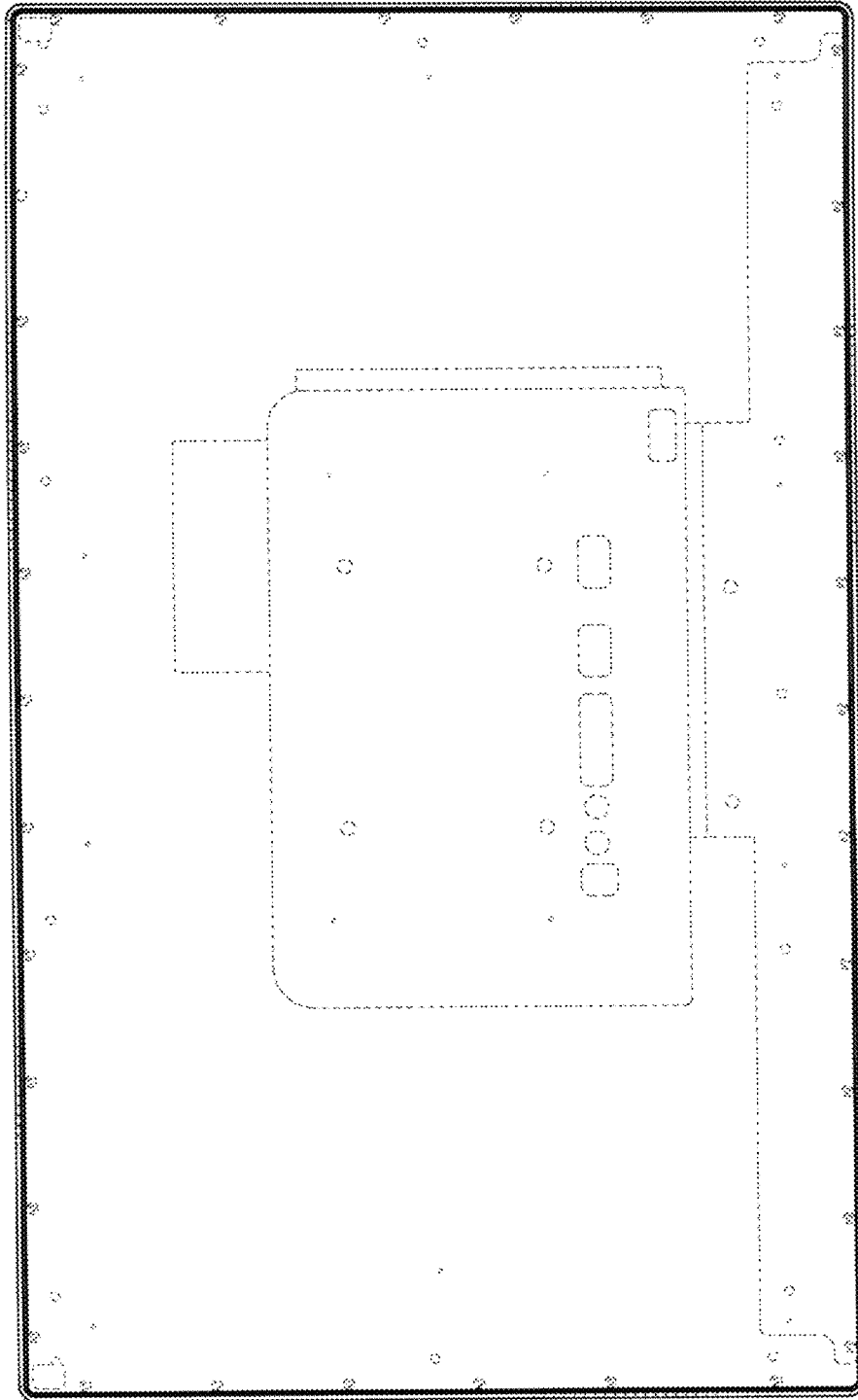


FIG. 6

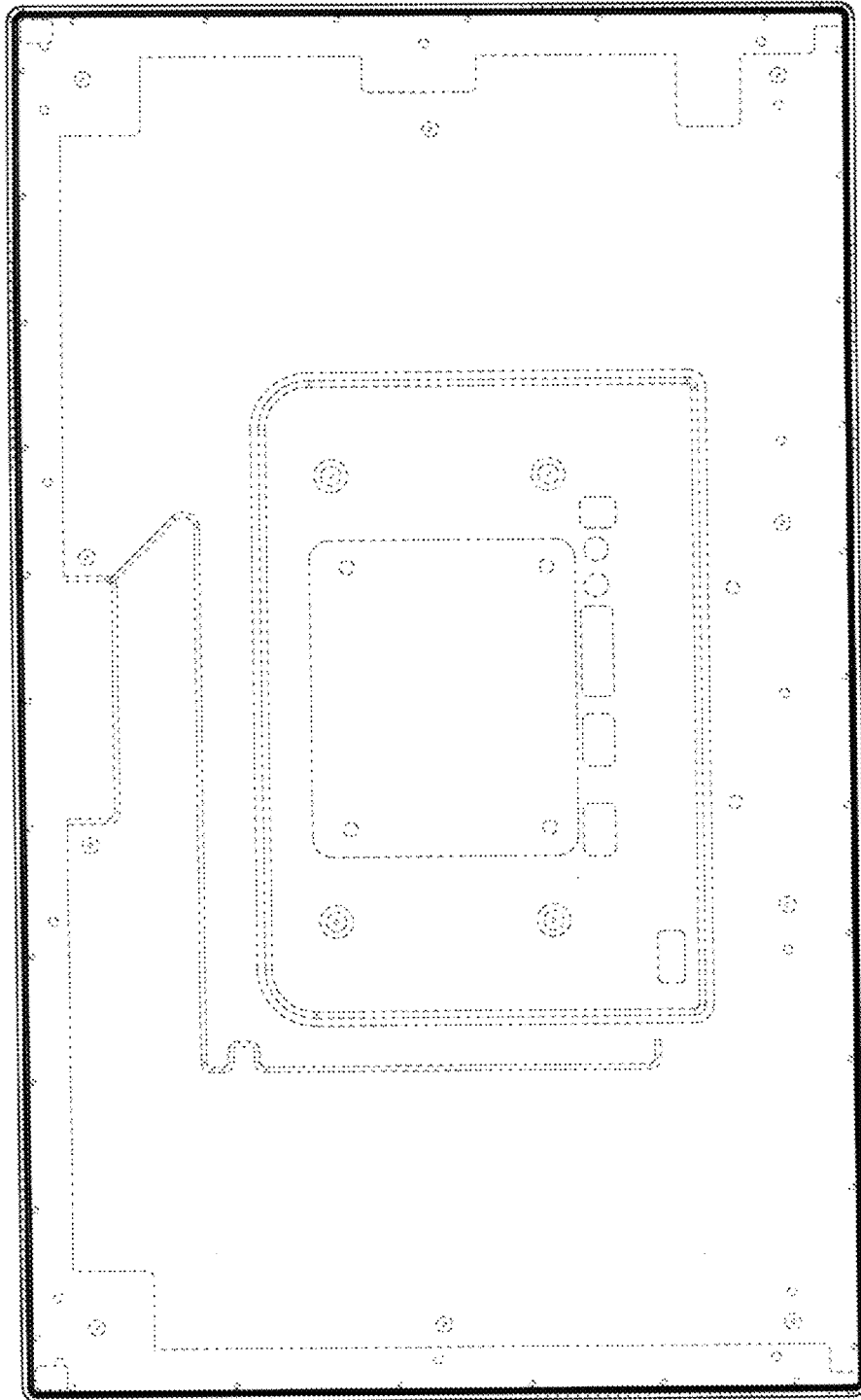


FIG. 7