



US00D680120S

(12) **United States Design Patent**
Cho et al.

(10) **Patent No.:** **US D680,120 S**

(45) **Date of Patent:** **** Apr. 16, 2013**

(54) **CASE FOR TABLET COMPUTER**

(75) Inventors: **Sun Hee Cho**, Bellevue, WA (US);
Christopher Paul Tanner, Seattle, WA
(US); **Traci Pichette**, Seattle, WA (US)

(73) Assignee: **Reischling Press, Inc.**, Tukwila, WA
(US)

(**) Term: **14 Years**

(21) Appl. No.: **29/405,282**

(22) Filed: **Oct. 31, 2011**

(51) **LOC (9) Cl.** **14-02**

(52) **U.S. Cl.**

USPC **D14/440**

(58) **Field of Classification Search** D14/250,
D14/251, 253, 240, 217, 496, 440, 203.3,
D14/203.4, 203.5, 203.8, 432, 439, 300;
D3/218, 215, 201; 220/4.02; 248/309.1;
361/679.56, 752; 379/426, 433.11, 455;
455/575.1, 575.8; 190/100; 206/305, 320

See application file for complete search history.

(56) **References Cited**

U.S. PATENT DOCUMENTS

D279,185 S *	6/1985	Felix et al.	D14/251
D466,356 S *	12/2002	Marsilio	D6/632
D574,819 S *	8/2008	Andre et al.	D3/269
D597,089 S *	7/2009	Khan et al.	D14/250
D606,591 S *	12/2009	Pearson	D19/86
D615,077 S *	5/2010	Richardson et al.	D14/250
D615,536 S *	5/2010	Richardson et al.	D14/250
D623,640 S *	9/2010	Freeman	D14/250
D626,540 S *	11/2010	Brown et al.	D14/250
D634,741 S *	3/2011	Richardson et al.	D14/250
D641,558 S *	7/2011	Jedrey	D6/310
D644,635 S *	9/2011	Richardson et al.	D14/250
D651,213 S *	12/2011	Magness et al.	D14/447
D652,825 S *	1/2012	Bau	D14/238.1

D653,202 S *	1/2012	Hasbrook et al.	D13/103
D654,490 S *	2/2012	Weller et al.	D14/250
8,132,670 B1 *	3/2012	Chen	206/320
8,139,357 B2 *	3/2012	Trang	361/679.59
D663,294 S *	7/2012	Buxton	D14/250
D663,295 S *	7/2012	Fahrendorff et al.	D14/250
D664,528 S *	7/2012	Chen et al.	D14/253
2001/0009500 A1 *	7/2001	Selker	361/683
2009/0179132 A1 *	7/2009	Qin et al.	248/371
2009/0186264 A1 *	7/2009	Huang	429/96

OTHER PUBLICATIONS

PressExposure, "Backflip Case—The Revolutionary iPhone Case",
Apr. 12, 2010, Los Angeles CA, 1 pg.

(Continued)

Primary Examiner — Cynthia Underwood

(74) *Attorney, Agent, or Firm* — Soquel Group LLC

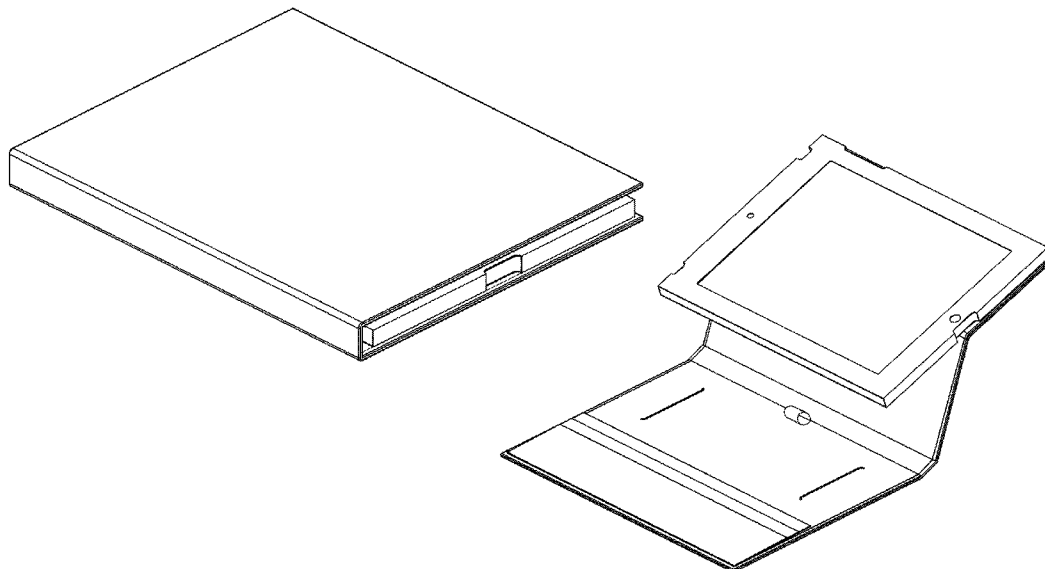
(57) **CLAIM**

The ornamental design for a case for a tablet computer, sub-
stantially as shown and described.

DESCRIPTION

FIG. 1 is an isometric view of the front of a case for a tablet computer when folded showing our new design;
 FIG. 2 is a side elevation view thereof;
 FIG. 3 is a bottom elevation view thereof;
 FIG. 4 is an interior plan view of the case when opened and laying flat;
 FIG. 5 is an isometric view thereof;
 FIG. 6 is an interior isometric view of the case when partially open;
 FIG. 7 is an interior isometric view of the case in easel position;
 FIG. 8 is a rear isometric view thereof;
 FIG. 9 is a side elevation view thereof; and,
 FIG. 10 is an interior isometric view of the case in easel position on its side.

1 Claim, 10 Drawing Sheets



OTHER PUBLICATIONS

Rue Lin, "Booqpad Folio for iPad 2 Fuses Tables With Traditional Notepad", Mar. 2, 2011, Slashgear.com, 2 pp.

iPad Cases Blog, "Custom iPad Cases from Zazzle" Feb. 4, 2011, 5 pp.

Case2Case, "Incase Convertible Magazine Jacket for iPad 2 New Review", May 17, 2011, 2 pp.

Allen Schmidt, "M-Edge Incline Jacket for iPad 2 review", Jun. 22, 2011, 4 pp.

Moleskine Press Release, "Writing, Travelling and Reading Collections", (Jun. 2011) 3 pp.

Tong Zhang, "iPad Case Review: Pad and Quill The College Edition for iPad 2", Sep. 21, 2011, 5 pp.

Tong Zhang, "iPad 2 Case Review: The Octavo for iPad 2 from Pad and Quill", May 18, 2011, 6 pp.

Mark Olson, "Scosche Introduces foldIO Case for iPad", Sep. 16, 2010, 4 pp.

Tong Zhang, "iPad 2 Case Review: The Pad and Quill Contega for iPad 2", Jun. 24, 2011, 6 pp.

Xengadget, "Yoobao Slim Magic Genuine Leather Case with Kickstand V4 for iPad", Jan. 24, 2011, 6 pp.

* cited by examiner

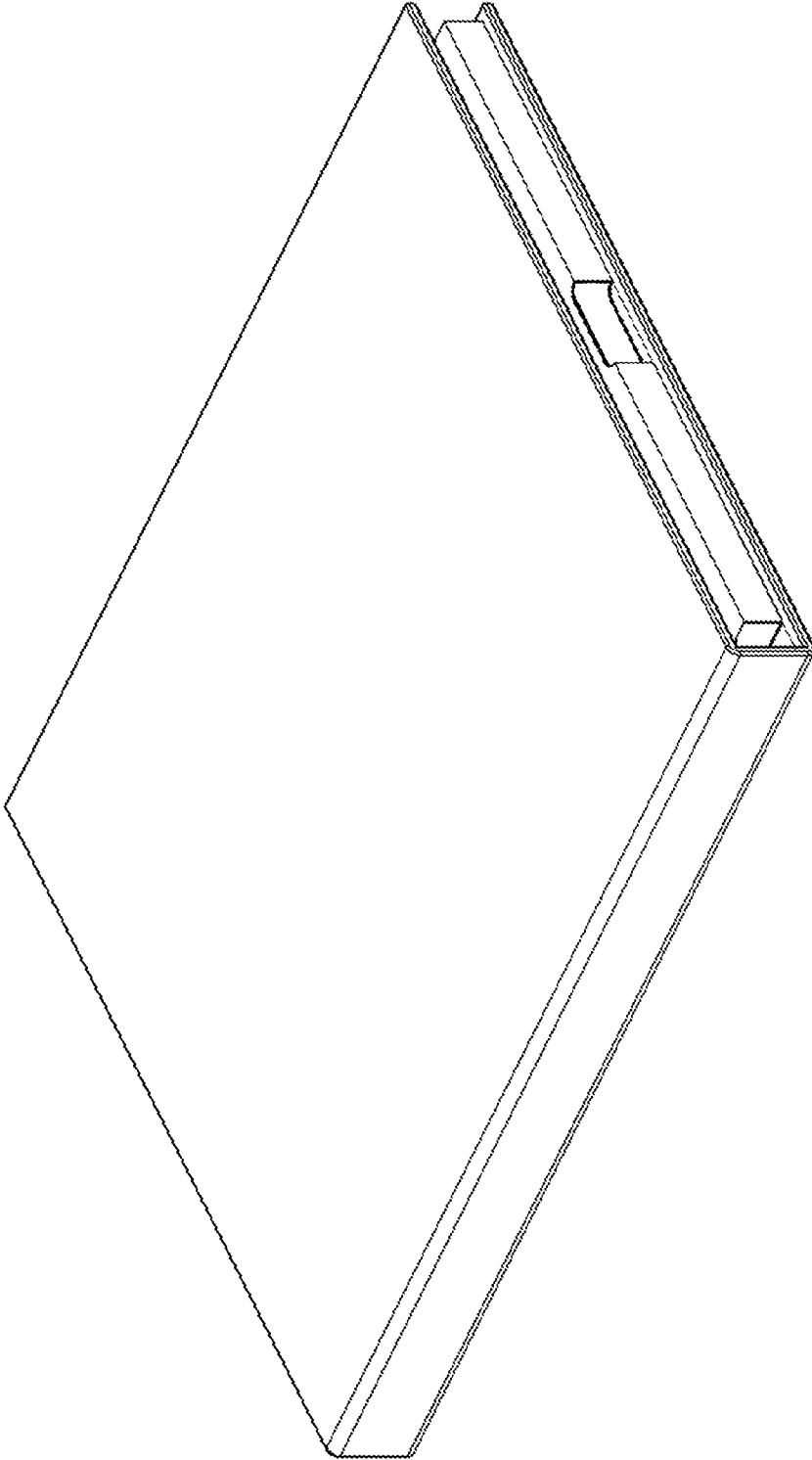


FIG. 1

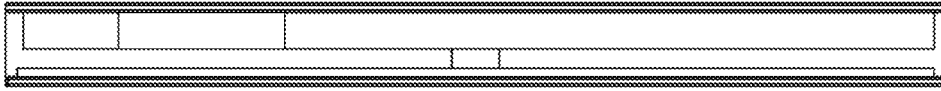


FIG. 2

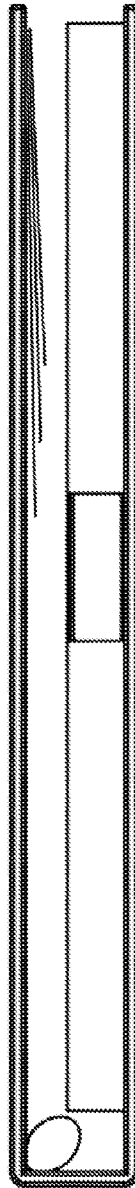


FIG. 3

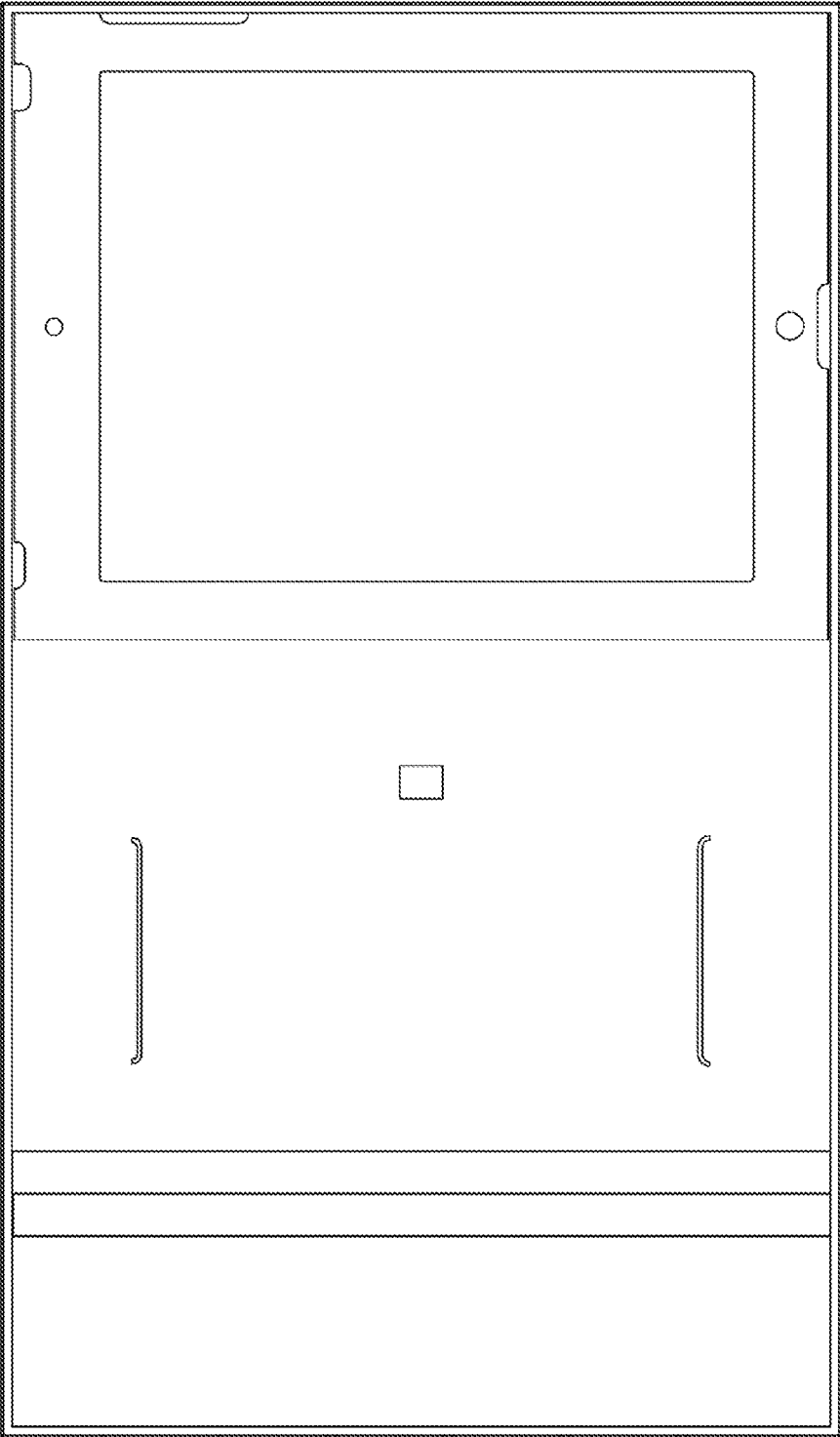


FIG. 4

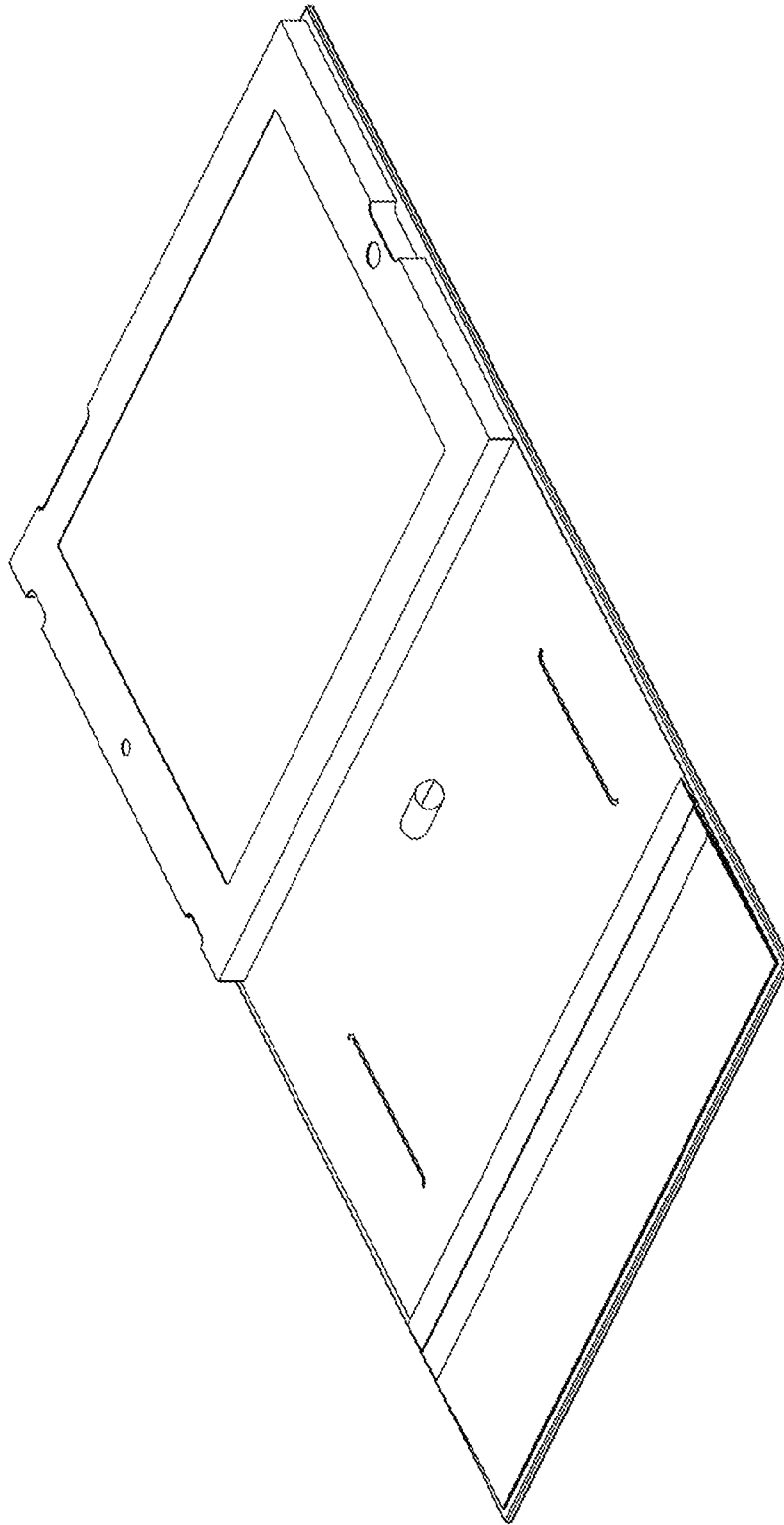


FIG. 5

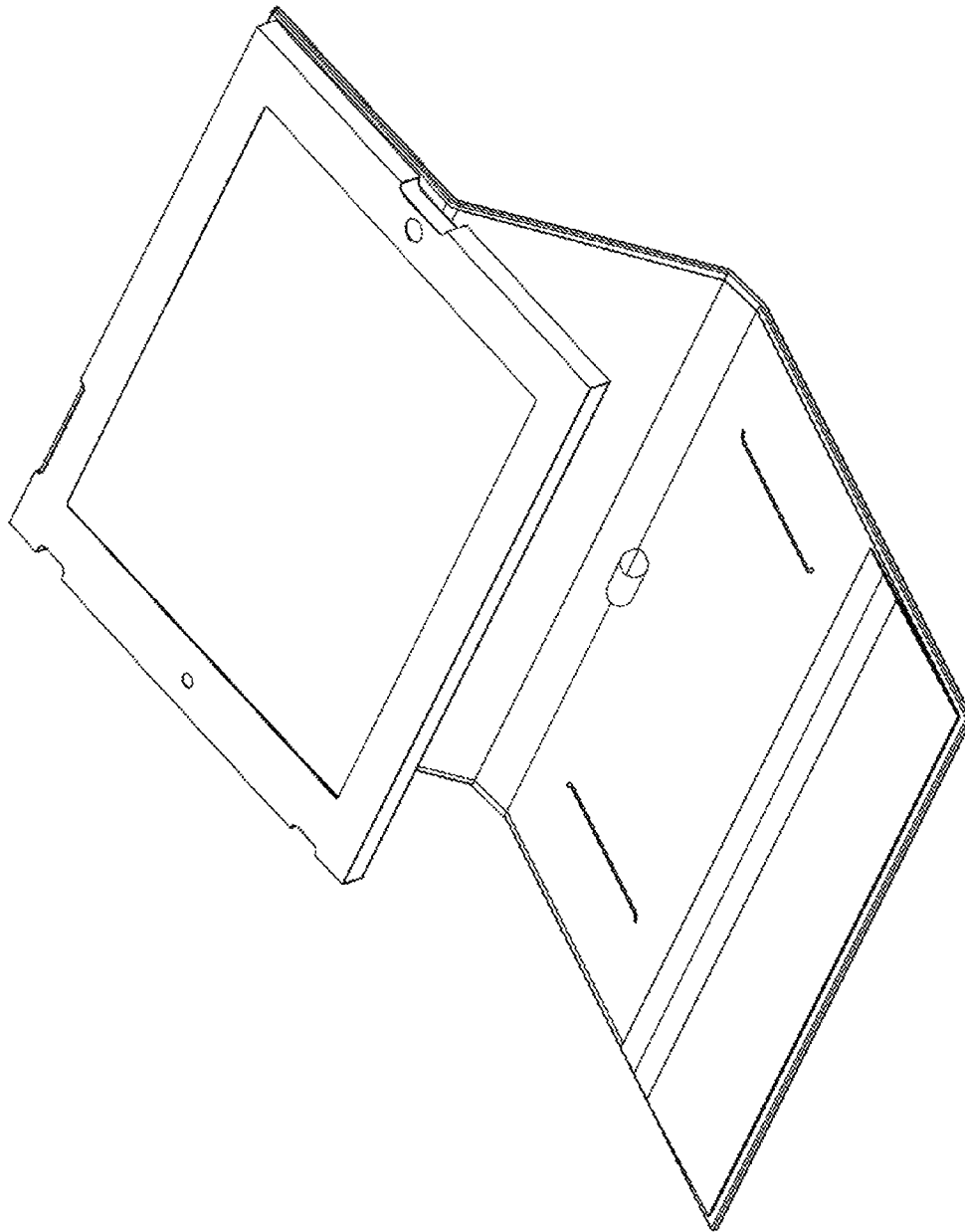


FIG. 6

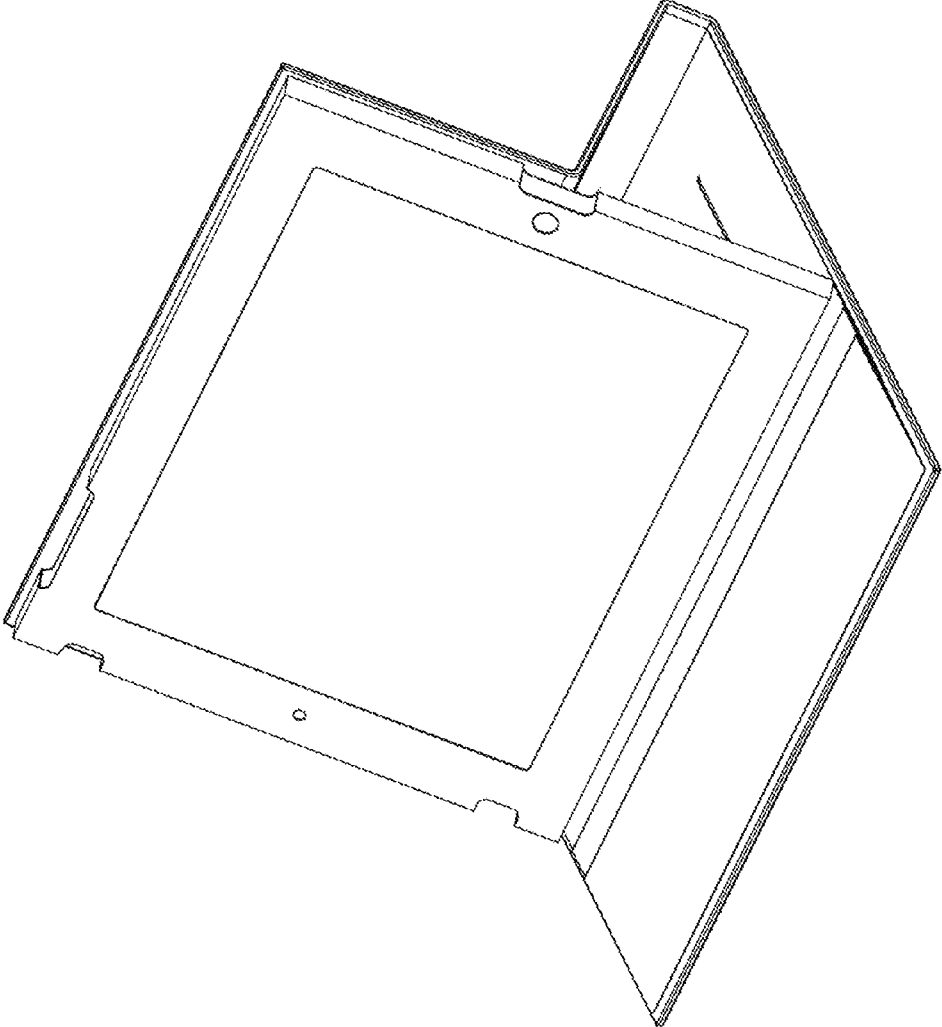


FIG. 7

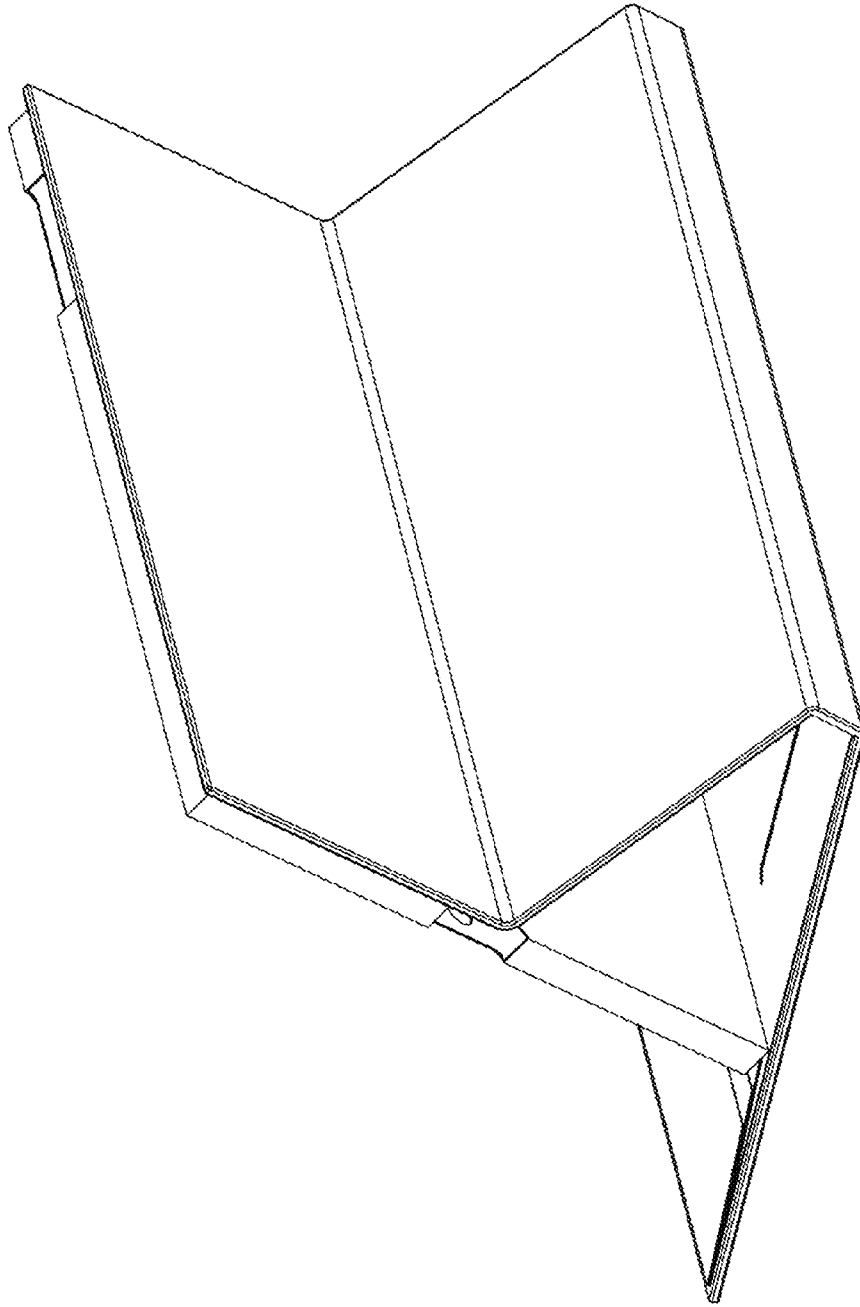


FIG. 8

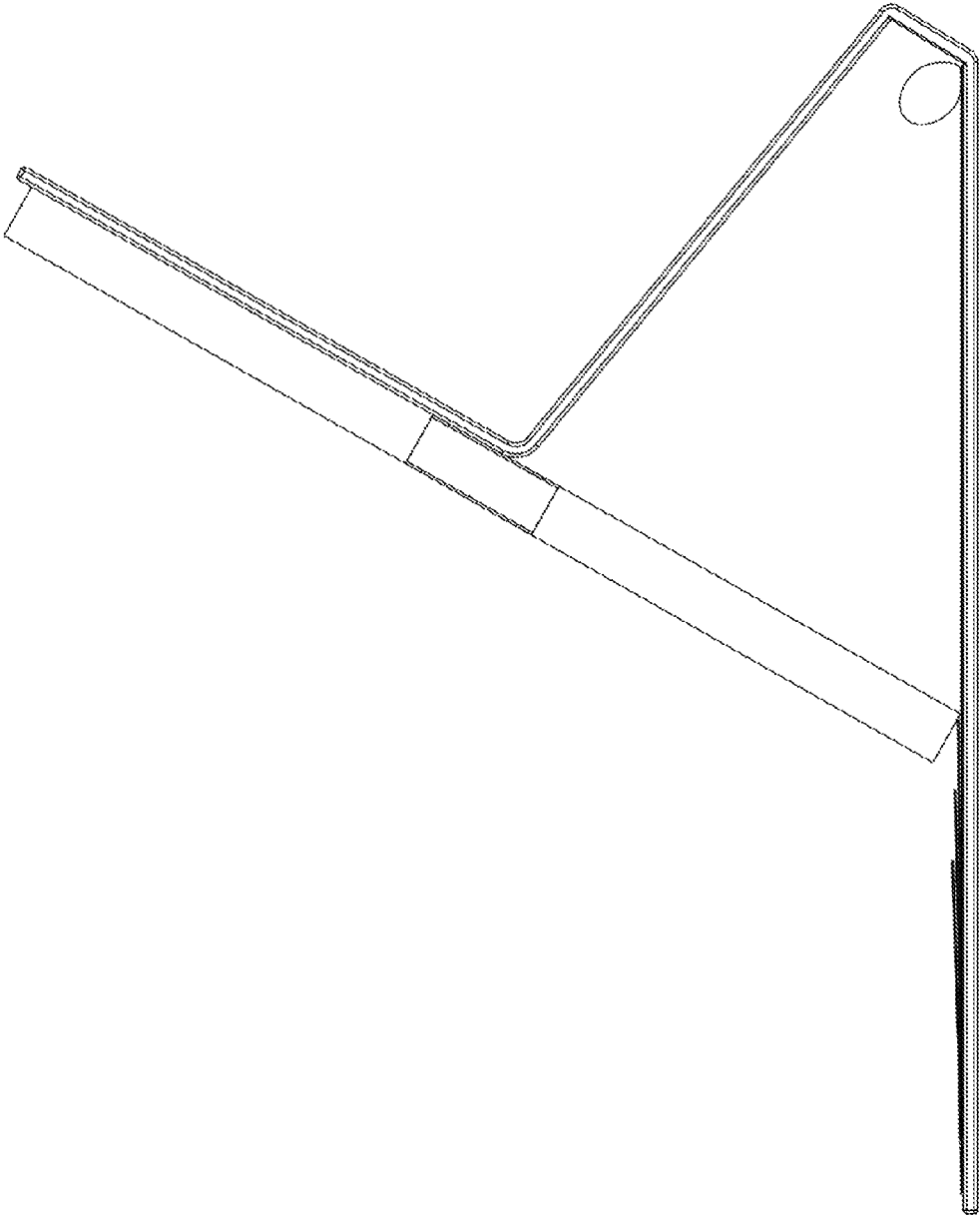


FIG. 9

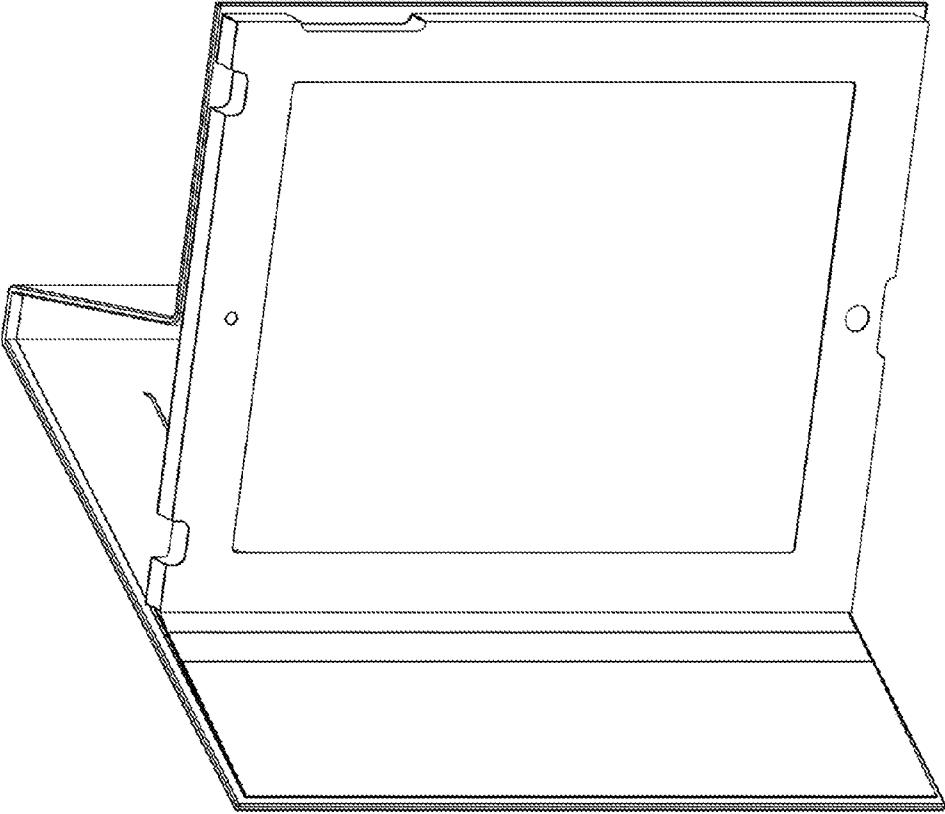


FIG. 10