



US00D593550S

(12) **United States Design Patent**
Bernstein et al.

(10) **Patent No.:** **US D593,550 S**

(45) **Date of Patent:** **** Jun. 2, 2009**

(54) **KEYPAD**

(75) Inventors: **Noam Bernstein**, Tel Aviv (IL); **Alon Green**, Yehud (IL); **Ronen Savich**, Yehud (IL)

(73) Assignee: **Modu Ltd.**, Kfar Saba (IL)

(**) Term: **14 Years**

(21) Appl. No.: **29/294,967**

(22) Filed: **Feb. 5, 2008**

(51) **LOC (9) Cl.** **14-03**

(52) **U.S. Cl.** **D14/247**

(58) **Field of Classification Search** D14/137,
D14/138, 147, 191, 218, 247-248, 341-347,
D14/496; D10/65, 78, 104; D13/168; D18/7;
455/556.1, 566, 575.1, 575.3; 345/169
See application file for complete search history.

(56) **References Cited**

U.S. PATENT DOCUMENTS

- D469,367 S * 1/2003 Mirabelli et al. D10/65
- D480,057 S * 9/2003 Ho-Cheun et al. ... D14/138 AA
- D480,697 S * 10/2003 Lee et al. D14/138 AC
- D500,499 S * 1/2005 Pitt et al. D14/248
- D508,687 S * 8/2005 Lee D14/138 AD
- D509,206 S * 9/2005 Jang D14/138 AB
- D513,741 S * 1/2006 Jensfelt D14/138 AA
- D525,959 S * 8/2006 Kim et al. D14/138 AD
- D528,107 S * 9/2006 Nakajima D14/247
- D530,300 S * 10/2006 Cha et al. D14/138 AD
- D530,301 S * 10/2006 Kim et al. D14/138 AD
- D531,973 S * 11/2006 Kim et al. D14/138 AC
- D533,160 S * 12/2006 Yoo et al. D14/138 AD
- D534,893 S * 1/2007 Jo et al. D14/138 AD

- 7,158,371 B2 * 1/2007 Park et al. 361/679
- D537,062 S * 2/2007 Kim et al. D14/138 AD
- D538,251 S * 3/2007 Park et al. D14/138 AA
- D539,778 S * 4/2007 Yeh et al. D14/138 AA
- D542,257 S * 5/2007 Ahn et al. D14/138 AA
- D546,800 S * 7/2007 Lee D14/138 AA
- D555,133 S * 11/2007 Kim et al. D14/138 AC
- D555,618 S * 11/2007 Mursalie et al. D14/138 AD
- D555,624 S * 11/2007 Lee et al. D14/138 AA
- D569,860 S * 5/2008 Pegon et al. D14/247
- D573,129 S * 7/2008 Park et al. D14/138
- 2005/0277435 A1 * 12/2005 Park et al. 455/550.1

OTHER PUBLICATIONS

Nokia 7380, announced Oct. 2005, [online], [retrieved on Apr. 26, 2007]. Retrieved from Internet ,<URL: <http://www.gsmarena.com>>.*

* cited by examiner

Primary Examiner—Jeffrey D Asch

Assistant Examiner—Bridget L Eland

(74) *Attorney, Agent, or Firm*—Soquel Group LLC

(57) **CLAIM**

The ornamental design for a keypad, substantially as shown and described.

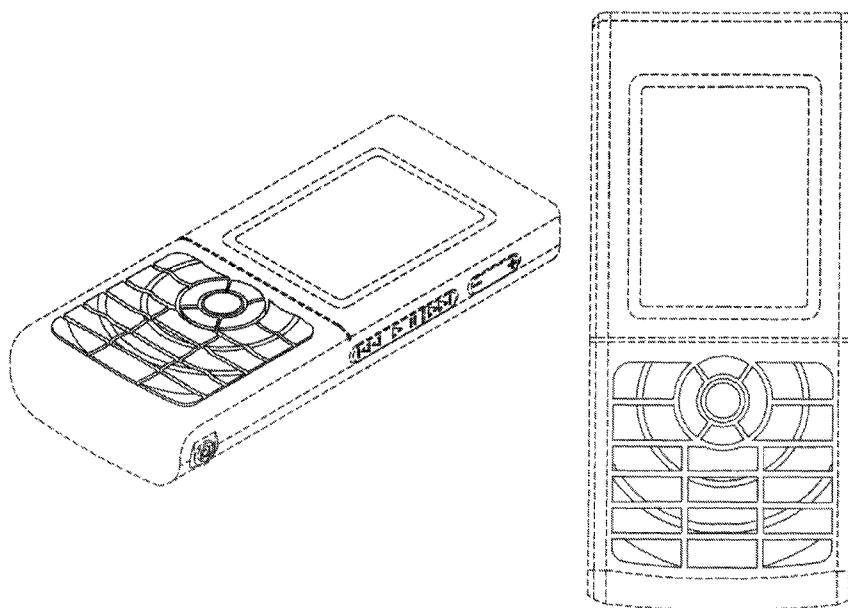
DESCRIPTION

FIG. 1 is a perspective view of a keypad showing our new design; and,

FIG. 2 is a front view of a keypad showing our new design.

The broken line showings of the remainder of the device in FIGS. 1 and 2 are directed to environment and are for illustrative purposes only; the broken lines form no part of the claimed design. The claimed design is confined to the keypad.

1 Claim, 2 Drawing Sheets



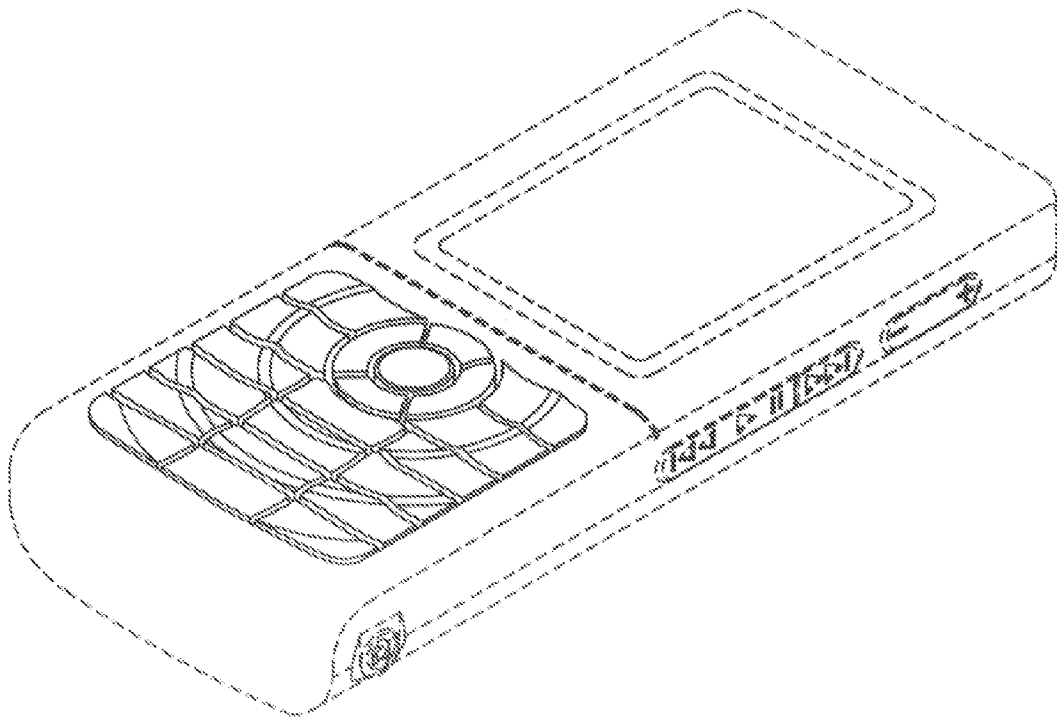


FIG. 1

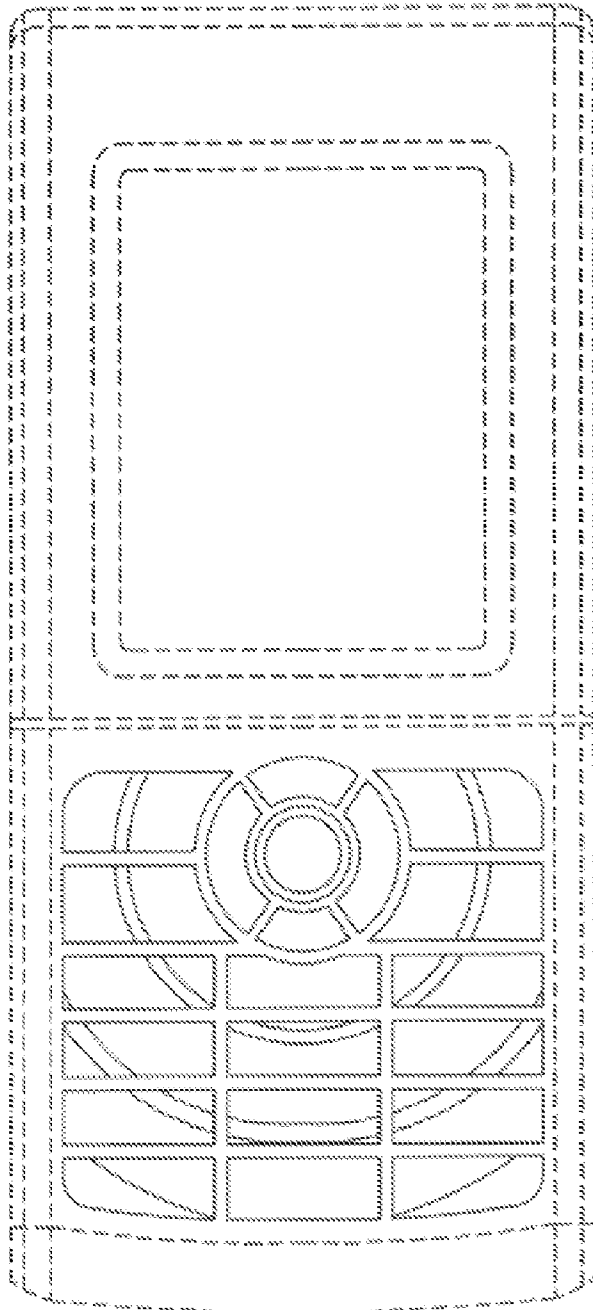


FIG. 2